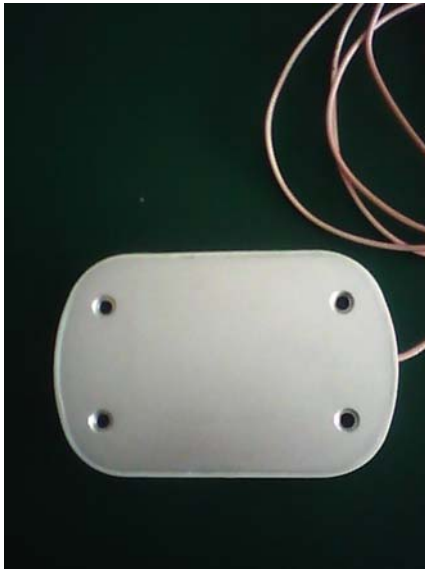


# Test Report

## for GPS L1/ GLONASS L1 ON-VEHICLE ANTENNA



Model: HXAT00GGAOV40C

**Chengdu HAIXIN MICROWAVE Technology Co., Ltd**

Add: Chengdu 610091, China

Tel: +86-28-87089208

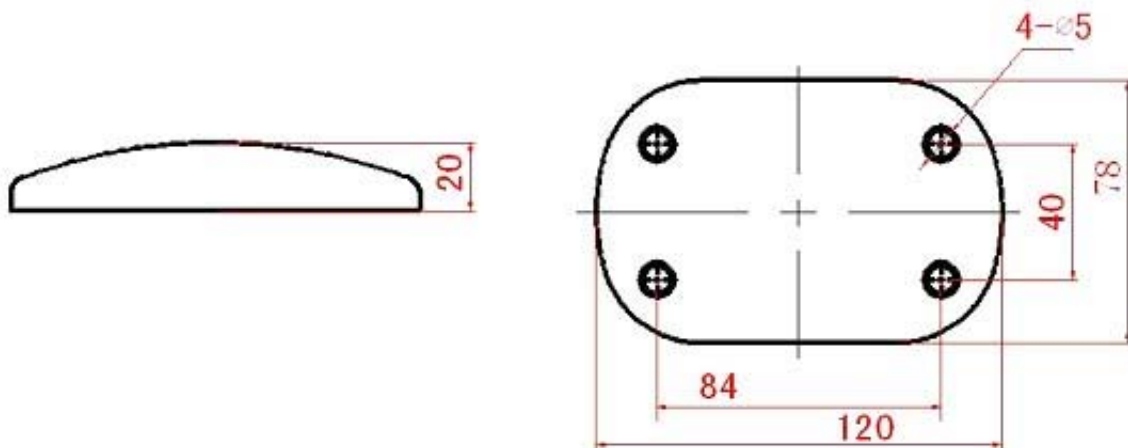
Website: [www.hxmicrowave.com](http://www.hxmicrowave.com)

Fax: +86-28-87089208

Email: [sale@hxmicrowave.com](mailto:sale@hxmicrowave.com)

## Specification

1. Frequency: GPS L1:1575.42MHz±5MHz  
GLONASS L1:1602MHz±8MHz
2. Pattern:  
Azimuth: Omnidirectional  
Elevation: Hemispherical
3. LNA Gain: 36dB±2dB
4. Polarization: Right-hand circular
5. AR: ≤3dB
6. Noise: ≤2dB
7. Impedance : 50 Ω
8. VSWR : ≤2:1
9. Power requirements: Voltage: 3~5VDC  
Current: ≤20mA
10. Connector: TNC female
11. Operating Temperature : -40℃~+85℃
12. Store Temperature : -55℃~+85℃
13. Weight: ≈ 200 g
14. Size: 120mm×78mm×20mm



## Test Instruments

Agilent 83630B  
HP8563E  
HP8720D

## Chengdu HAXIN MICROWAVE Technology Co., Ltd

Add: Chengdu 610091, China  
Tel: +86-28-87089208  
Website: www.hxmwave.com

Fax: +86-28-87089208

Email: sale@hxmwave.com

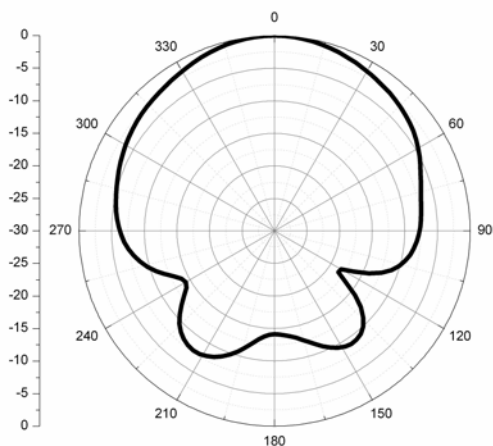
# Test Results

## 1. Gain

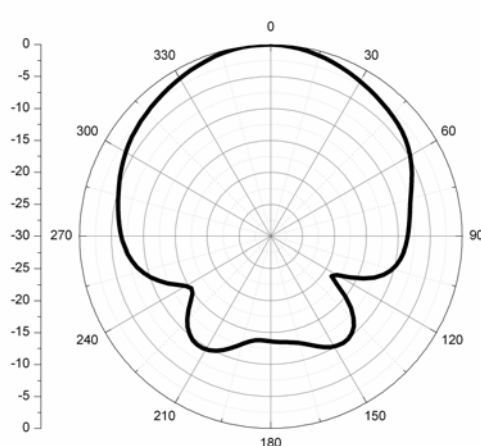


Frequency (GHz)	Gain (dBic)
1.575	41.5
1.602	41

## 2. Pattern



Feq:1575MHz



Feq:1602MHz